



# WIRE WALL MOUNT BRACKETS & POSTS

Item #: \_\_\_\_\_ Qty #: \_\_\_\_\_  
 Model #: \_\_\_\_\_  
 Project #: \_\_\_\_\_

## WALL MOUNTED SHELVING SYSTEM

EC-50 Mounting Kits Included • Shelves Sold Separately

### FEATURES:

Brackets feature 1/4" diameter wire for stability and strength.  
 NSF approved.

### MATERIAL:

Chrome plated steel.

### CONSTRUCTION:

End mount and Mid-mount Posts attach to wall with EC-50 Mounting Kits (Included).  
 Wall Shelf Brackets attach to posts.  
 Unit assembles using tapered split sleeves.

### End Mount Kit

- 4 Single Shelf Brackets
- 2 - 34" Posts w/4 EC-50 Mounting Kits
- Collar Filler Caps

**AB2-14**

14" Wide

**AB2-18**

18" Wide

### Mid-Mount Kit For Adjoining Shelves

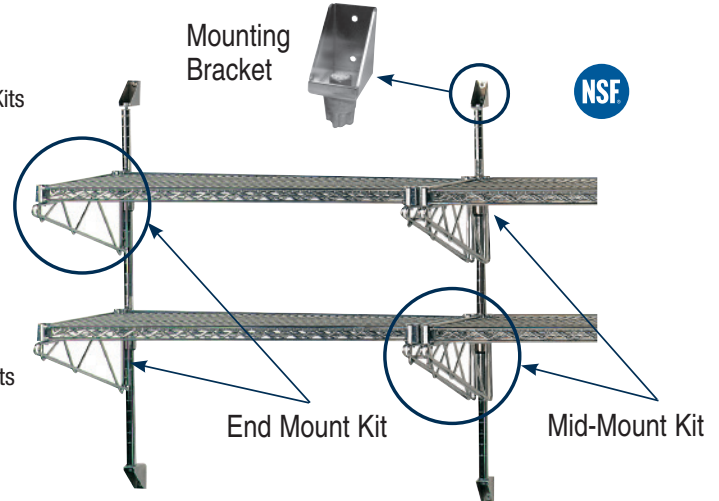
- 2 Double Shelf Brackets
- 1 - 34" Post w/2 EC-50 Mounting Kits
- For Adjoining Shelves

**ABM2-14**

14" Wide

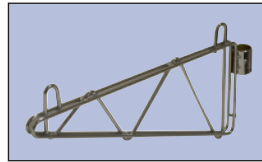
**ABM2-18**

18" Wide



For Additional Tiers, Order Larger Posts With EC-50 Mounting Hardware For Each Post And Use Additional Wall Mounted Brackets.

## WALL MOUNTED SHELVING SYSTEM EXPANSION KITS



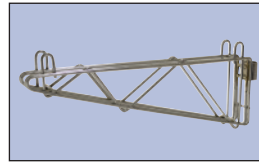
**2 Single End Mount Brackets**

**AAB-14**

14" Wide

**AAB-18**

18" Wide



**1 Double Mid-Mount Bracket**

**AABM-14**

14" Wide

**AABM-18**

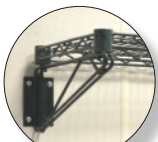
18" Wide



**Wall Mounting Hardware Kit**

**EC-50**

- Includes 2 End Mounts & 1 Mid-Mount (Enough for one post)



### FEATURES:

Brackets feature 1/4" diameter wire for stability and strength.  
 NSF approved.

### MATERIAL:

SB & DB Series: Chrome plated steel.  
 GB & GDB Series: Green Epoxy steel.

## WIRE WALL SHELF MOUNTING BRACKETS

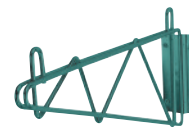
• Single Mount Includes 2 Brackets & 4 Collar Filler Caps • Double Mount Includes 1 Bracket



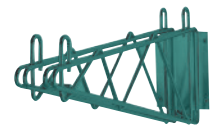
SB Series



DB Series



GB Series



GDB Series

Chrome	Size	Approx. Wt.
<b>SINGLE BRACKET</b>		
<b>SB-14</b>	14"	2 lbs.
<b>SB-18</b>	18"	3 lbs.

Chrome	Size	Approx. Wt.
<b>DOUBLE BRACKET</b>		
<b>DB-14</b>	14"	3 lbs.
<b>DB-18</b>	18"	4 lbs.

GREEN EPOXY	Size	Approx. Wt.
<b>SINGLE BRACKET</b>		
<b>GB-14</b>	14"	2 lbs.
<b>GB-18</b>	18"	3 lbs.

GREEN EPOXY	Size	Approx. Wt.
<b>DOUBLE BRACKET</b>		
<b>GDB-14</b>	14"	3 lbs.
<b>GDB-18</b>	18"	4 lbs.



Customer Service Available To Assist You 1-800-645-3166 8:30 am - 7:00 pm E.S.T.

For Orders & Customer Service:

Email: customer@advancetabco.com or Fax: 631-242-6900

For Smart Fabrication™ Quotes:

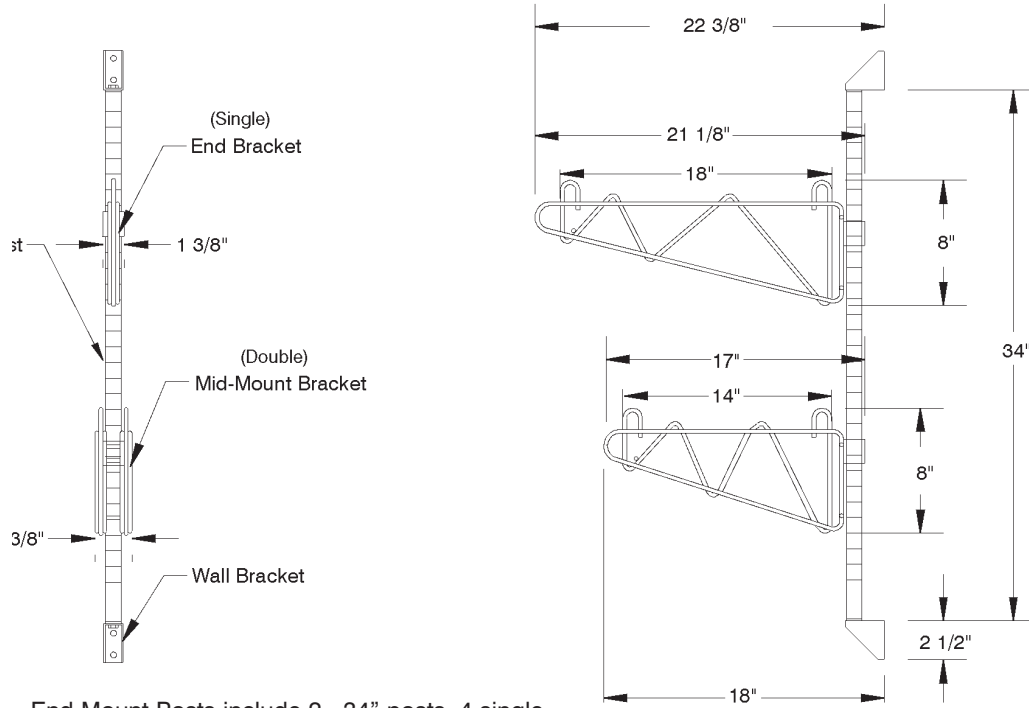
Email: smartfab@advancetabco.com or Fax: 631-586-2933

# DETAILS and SPECIFICATIONS

TOL ± .500"

ALL DIMENSIONS ARE TYPICAL

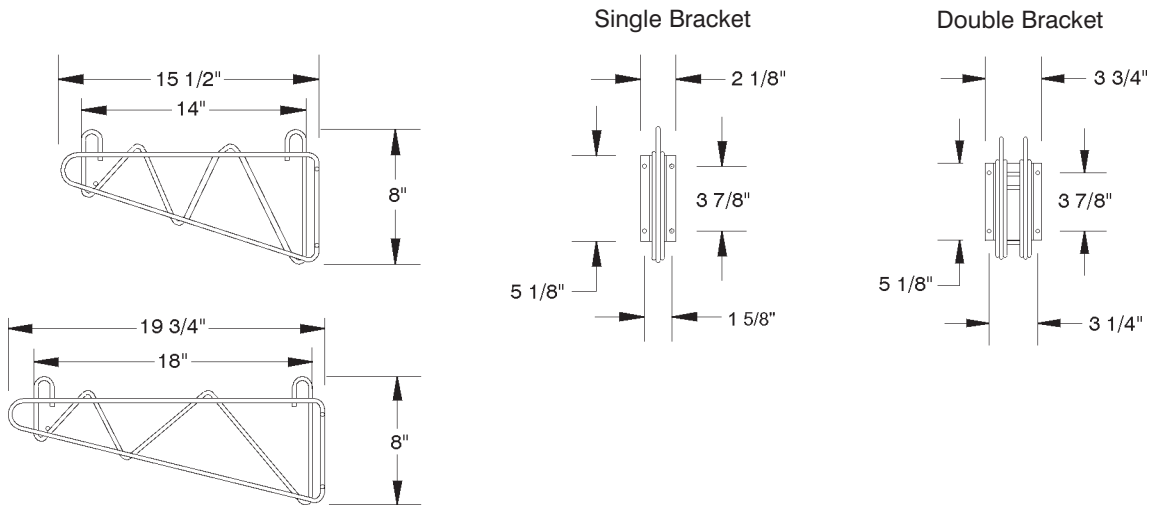
## ADJUSTABLE 2-TIER BRACKETS & POSTS



End Mount Posts include 2 - 34" posts, 4 single brackets & 2 EC-50 Mounting Kits

Mid-Mount Posts include 1 - 34" post and 2 double brackets one EC-50 Mounting Kit

## WALL SHELF MOUNTING BRACKETS



Single Bracket

Double Bracket

